

**Montage- und Bedienungsanleitung  
für Saunaofen**

**Assembly and operating manual  
for Electric Saunaheater**

**Manuel de montage et d'utilisation  
pour poêles à sauna**

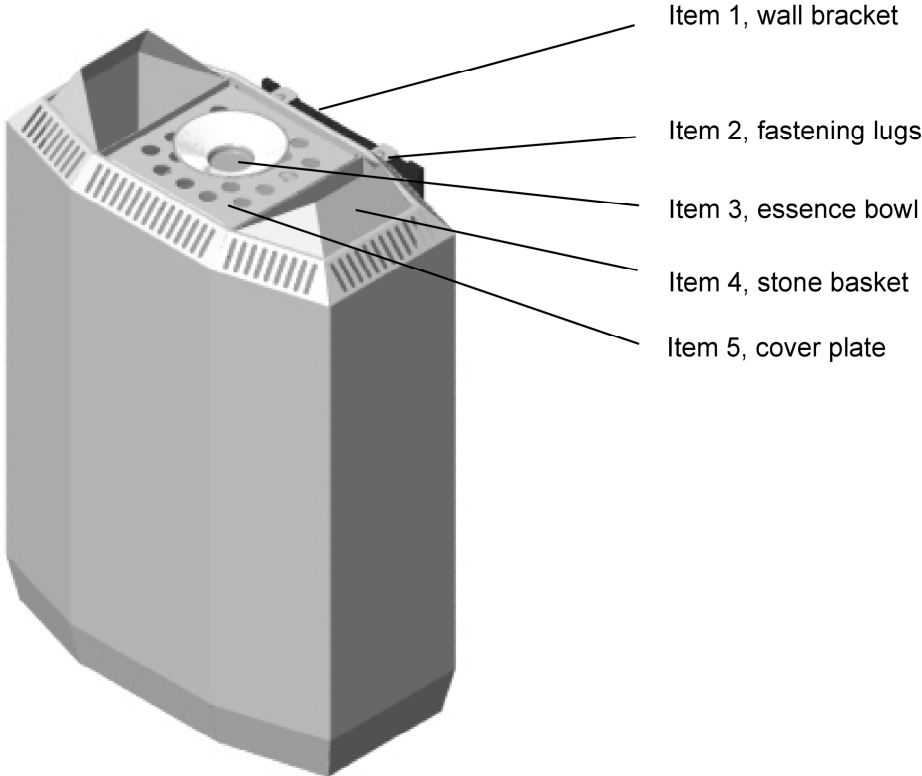
**Montage- en bedieningshandleiding  
voor saunaoven**

**Instrucciones de montaje y de uso  
para estufa de sauna**



# Contents

- General ..... 15
  - Supply state, packaging, recycling ..... 15
- Assembly instructions for the fitter ..... 17
  - Important information ..... 17
  - Structure ..... 18
    - Minimum distances ..... 18
    - Fitting the wall bracket ..... 18
    - Minimum distances when fixing the wall bracket ..... 19
    - Electrical connection ..... 19
  - Tip when starting up the Saunaheater ..... 20
- Operating manual for the user ..... 24
  - Sauna stones ..... 24
  - Evaporator ..... 24
  - Warnings ..... 26
  - Faults ..... 26
  - Identification plate ..... 26
  - Spare parts ..... 26
  - Accessories ..... 27
    - Sauna stones ..... 27
  - General guarantee conditions ..... 27



**Fig.1**

## General

Please read all the information contained in this manual carefully. The manual contains important information on safety, installation, use and maintenance of the equipment.

The manufacturer will not assume any liability if the instructions below are not observed. The equipment must not be improperly used, i.e. for purposes other than the intended purpose.

Before switching on the Saunaheater, always check that there are no objects in the immediate vicinity of the furnace.



**Caution:**

Surfaces will become very hot when operating the Saunaheater. Contact may cause burning. Please always ensure that children or frail persons are not left unsupervised.

---



**Caution:**

Stone baskets which are covered or incorrectly filled may pose a fire risk.

---



**Caution:**

Only refill the evaporator pot with water when the Saunaheater is cold. Refilling the pot when the Saunaheater is hot may cause steam to develop. This may pose a risk of scalding.

---

## Supply state, packaging, recycling

To facilitate improved handling and easier transport, the Saunaheater (complete with tubular heating elements) and the sauna stones are packed separately.

The supply scope includes:

- 1 Saunaheater
- 1 evaporator pot
- 1 essence bowl
- 1 wall bracket
- 1 bag of fixing screws (4 screws 5x35)
- 1 packet of sauna stones



**Caution:**

The stainless steel surfaces of the appliance are covered with a protective film to prevent scratches. The protective film must be fully removed before the first start-up.

---

Due to the evaporation of unused material, an odour may develop when first starting up the appliance. For this reason, ventilate thoroughly when first heating up the appliance.

The packaging of your high-quality appliance has been restricted to a minimum and, on principle, consists of recyclables.

Packaging and equipment components have been appropriately marked where possible and as required by the applicable regulations, in order to facilitate subsequent separation for recycling and proper disposal.

**Caution:** Packaging material, subsequent replacement parts and any old appliances or components to be scrapped must be properly disposed of.



#### **Disposing of the old appliance**

In many cases, old electrical and electronic appliances still contain valuable materials. However, they can also contain harmful substances which were necessary for the appliances' functionality and safety. These substances can be environmentally harmful if disposed of as residual waste or improperly handled. Please help protect our environment! Never dispose of your old appliance as residual waste. Dispose of your old appliance in accordance with locally applicable regulations.

## Assembly instructions for the fitter

### Important information

During operation the Saunaheater, in particular, may reach very high temperatures. Faulty assembly may cause a fire risk. For this reason, it is vital that the instructions in this manual are observed.

- The Saunaheater, the control unit and other electrical appliances must be connected to the power supply by a professional. DIN VDE 0100 Part 703 must be observed.
- Local safety requirements must be observed.
- The Saunaheater can be connected to triple phase 400V AC 3/N/PE or single phase 230V AC 1/N/PE.
- The Saunaheater may only be used in sauna cabins made of suitable, low-resin untreated material (such as Northern spruce).
- The interior height of the sauna cabin must be at least 1.9m.
- The output of the Saunaheater must be appropriate to the volume of the sauna cabin:

62/1063	6 kW	approx. 6 – 10 m <sup>3</sup>
62/1083	8 kW	approx. 8 – 12 m <sup>3</sup>
- The sauna cabin is provided with ventilation and venting openings. The ventilation opening must be located approx. 5-10cm above floor level behind the Saunaheater. The minimum cross-sections for the ventilation and venting openings are:

62/1063	6 kW	35 x 4 cm
62/1083	8 kW	35 x 5 cm
- The ventilation opening must always be fitted to the bottom of the rear sauna wall, diagonally to the Saunaheater. The ventilation and venting openings must not be closed. Please also observe the instructions issued by the sauna cabin supplier.
- In order to regulate or control the Saunaheater, use the control unit Ondal CK41, CKF41, SX400, SX440, CK31 or AS24. The control unit must be fitted to a suitable point on the exterior cabin wall. The sensor housing must be fitted inside the cabin in accordance with the control unit fitting instructions.
- The cabin lighting and associated fitting must be protected against spray water and suitable for an ambient temperature of 140°C. Therefore, a VDE-certified sauna light not exceeding 40 watts must be fitted in association with the Saunaheater.
- If the Saunaheater will be used with a residual-current-operated protective device (RCD), no additional electric device should be protected with this RCD.
- If the Saunaheater will be installed in a public sauna or the sauna will be operated with a remote control, there must be intended a door switch which is connected to the control unit.



---

**Caution:**

Remove any prints on the stainless steel surface with methylated spirit!

---

# Structure

## Minimum distances

When fitting the Saunaheater, care must be taken to ensure that the distance between the upper edge of the Saunaheater and the sauna ceiling is at least 110cm, and that the sauna height is at least 190cm. The lateral distance between the Saunaheater and the cabin wall must be at least 5cm (see Fig.2). The distance from the protective furnace grill or the bench must also be at least 5cm. The height of the protective grille must be flush with the upper furnace edge.

The floor beneath the Saunaheater must be made of non-flammable material. Otherwise, damage could result since the sauna stones will become brittle as a result of temperature changes, and stone splinters can be flushed onto the floor during the pouring process. We also recommend using dark flooring and grouting materials, since the pouring water absorbs impurities from the stones and could soil the floor.

### Minimum distances:

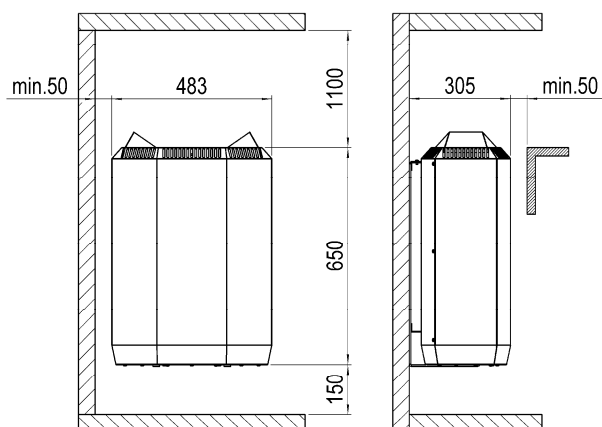


Fig.2

## Fitting the wall bracket

The wall bracket (Fig.1, Item 1) is supplied fitted to the appliance. For assembly purposes, the wall bracket must be unscrewed from the Saunaheater. For this purpose, unscrew the two cross-head screws on the fastening lugs (Fig.1, Item 2). The Saunaheater can then be lifted from the wall bracket.

- Taking account of the minimum distances, screw the wall bracket to the sauna wall using the four 5x35 wooden screws supplied (see Fig.3).



---

### Caution:

A board must be fitted behind the panels to provide support at the points where the screws are screwed into the sauna wall; this is to ensure that the screws sit firmly. Otherwise, the board can also be fitted in front of the panels.

---

- Place the Saunaheater in the wall bracket in such a manner that the wall bracket's hooks engage in the floor openings.
- Move the fastening lugs across the top of the wall bracket and screw firmly using the cross-head screws which were previously removed.

## Minimum distances when fixing the wall bracket

The specified distances from flammable objects are minimum distances.

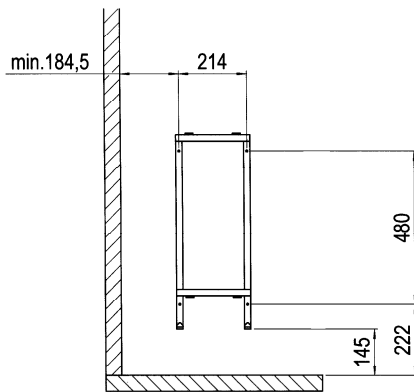


Fig.3

## Electrical connection

The sauna equipment (Saunaheater, control unit, lighting etc.) may only be permanently connected to the power supply by a registered electrician in accordance with applicable regulations. All connection cables must be suitable for an ambient temperature of at least 140°C (e.g. silicone cables). Please consult Table 1 for the minimum cross-sections of connection cables. For safety reasons, live cables should not be visibly laid along the cabin walls. If available, use the empty ducts in the wall elements. If no empty ducts are available, drill a 12mm hole in the cabin wall immediately next to the Saunaheater, where the cable exits the furnace. Guide the cable through this hole to the outside and the control unit. All external connection cables should also be protected from damage, for example by laying them in installation ducts or fitting timber cladding battens.

Type	Output: heating element + evaporator <sup>1)</sup>	Sauna cabin volume	Ventilation and venting opening	Connection cables			Fuse pro- tection
				Triple phase	Single phase <sup>2)</sup>	Evaporator	
62/0163	6 + 1,5 kW	6 – 10 m <sup>3</sup>	35 x 4 cm	5 x 1,5 <sup>2</sup>	3 x 1,5 <sup>2</sup>	3 x 1,5 <sup>2</sup>	16 A
62/0183	8 + 1,5 kW	8 – 12 m <sup>3</sup>	35 x 5 cm	5 x 1,5 <sup>2</sup>	3 x 1,5 <sup>2</sup>	3 x 1,5 <sup>2</sup>	16 A

- 1) The Ondal control units ensure, that rating of heating elements automatically 1/3 reduced when evaporator starts. The complete rating is always max. 6 or 8kW.
- 2) If Saunaheater is connected to single phase 3 separate connection cables 3x1,5<sup>2</sup> must be installed between power supply and control unit and also between control unit and Saunaheater. This makes sure that terminals are not overstressed (see connecting diagram).

Table 1

## Assembly sequence

- Remove the control panel from the Saunaheater. For this purpose, unscrew the two cross-head screws at the bottom (see Fig.4).
- Flip the control panel forward down. Then push it down and forward, and remove.
- Feed the connection cable in through the mains lead cleat, and connect in accordance with the wiring diagram (see Fig.5, Fig.6). Use supplied copper bridge for N-terminals if connected to triple phase.
- Tighten the mains lead cleats firmly to ensure that the connection cable is firmly fixed to the Saunaheater.
- Reverse the sequence to reassemble the control panel. For this purpose, insert the hooks at the back into the floor opening, and flip forward and up.
- Screw the control panel firmly using the two cross-head screws.

## Control panel fixing screws, view from below:

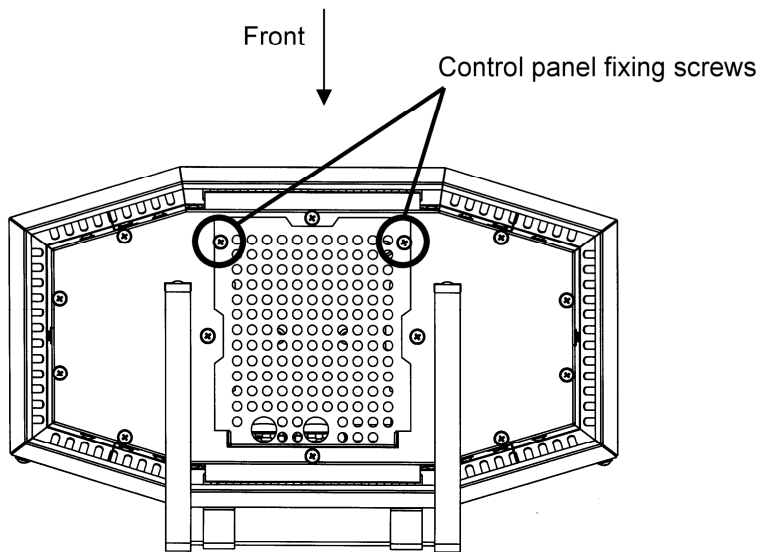


Fig.4

## Internal circuit diagram Saunaheater Triple phase 400V AC 3/N/PE

### \* Important information:

For indication of water shortage at AS24-display a jumper must be installed between terminal 1 and 4 at boil-dry protection.

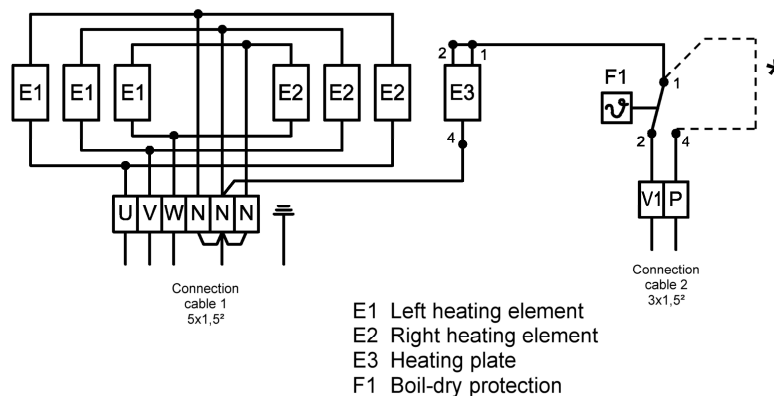
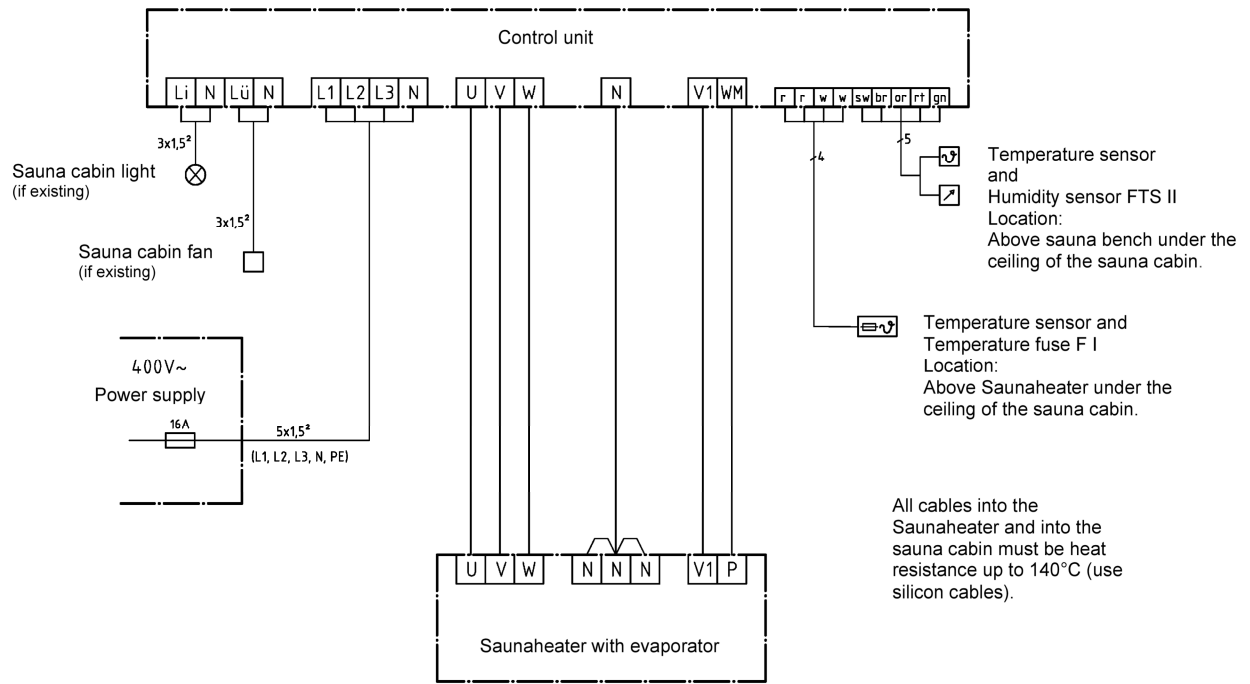


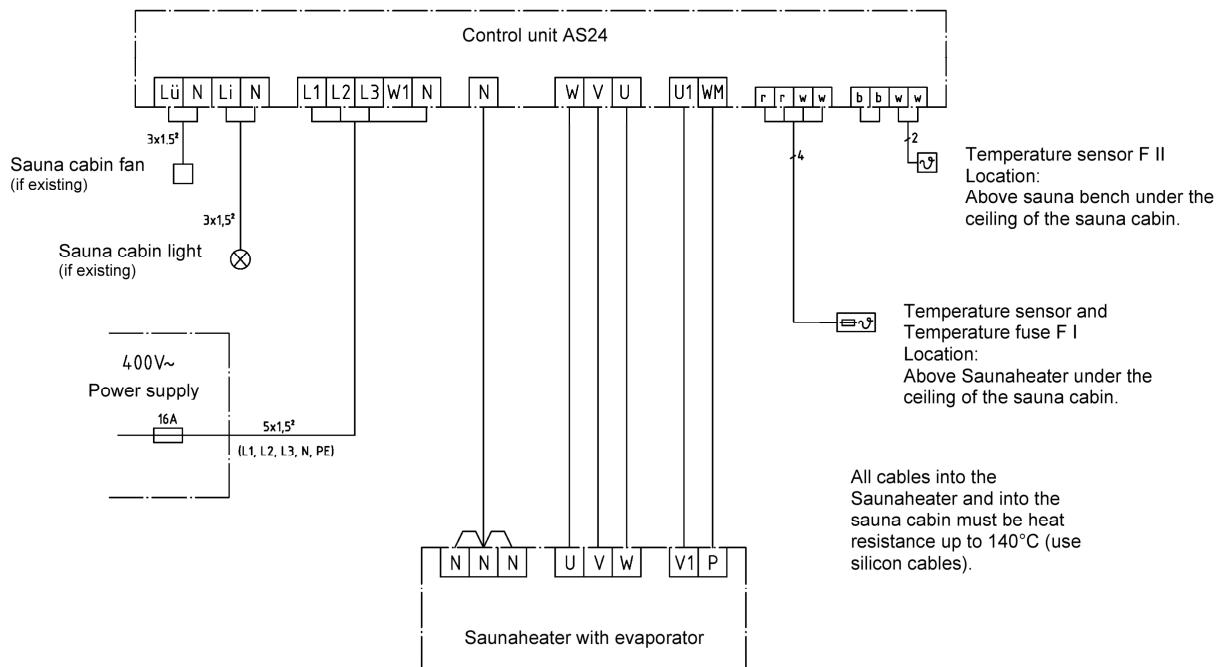
Fig.5



**Connection diagram Saunaheater to all control units (except AS24)**  
**Triple phase 400V AC 3/N/PE**



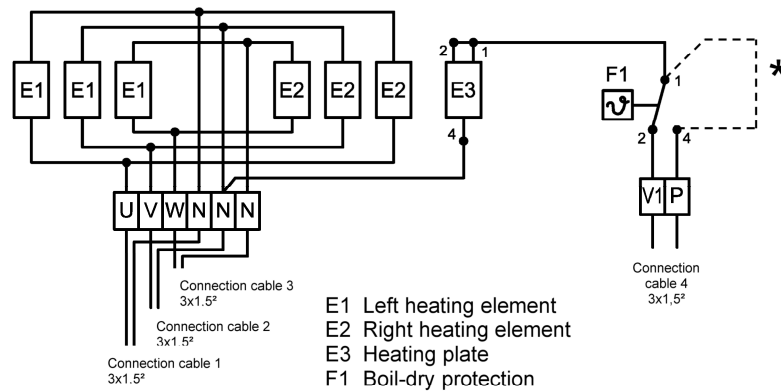
**Connection diagram Saunaheater to control unit AS24**  
**Triple phase 400V AC 3/N/PE**



**Internal circuit diagram Saunaheater**  
**Single phase 230V AC 1/N/PE**

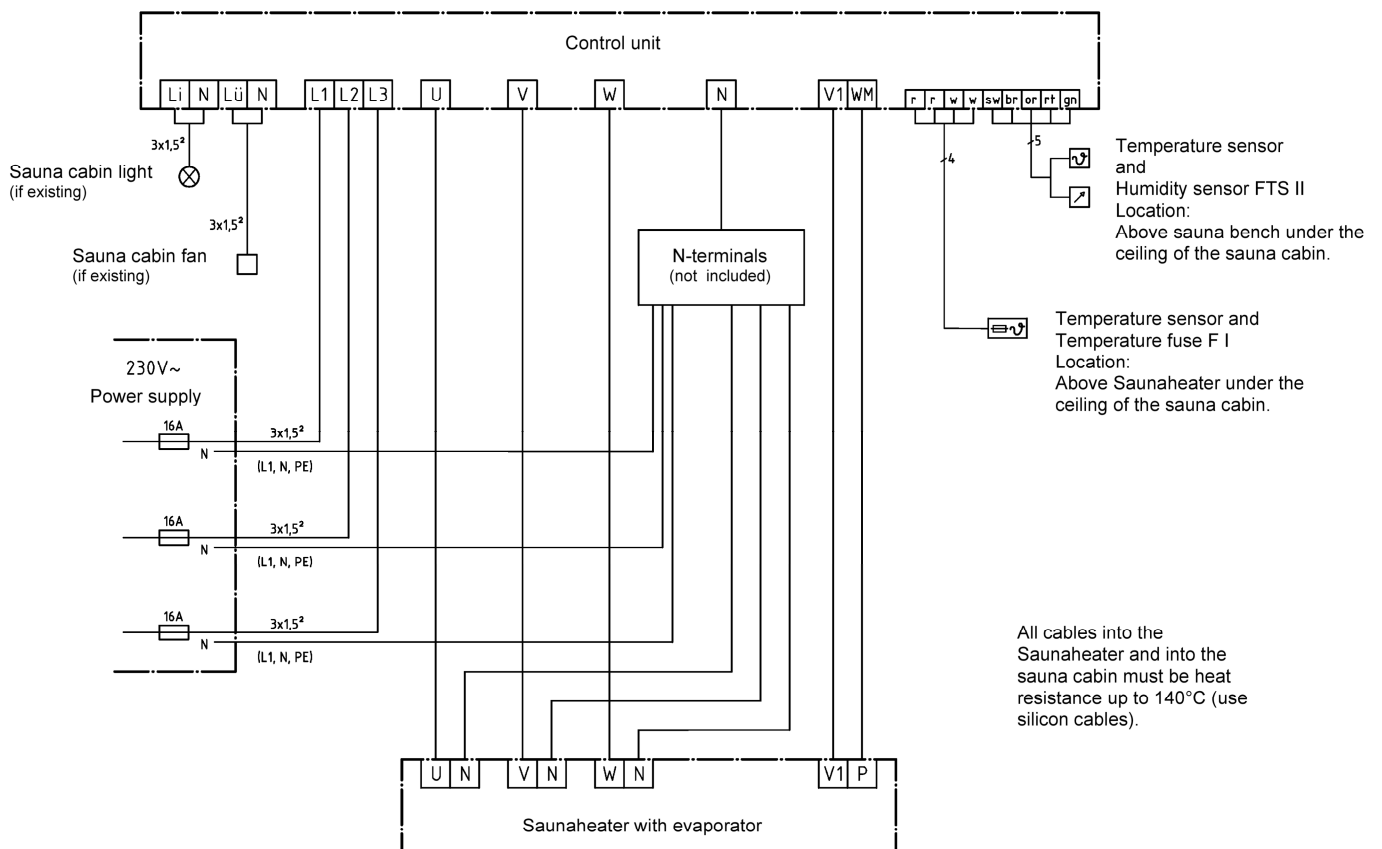
**\* Important information:**

For indication of water shortage at AS24-display a jumper must be installed between terminal 1 and 4 at boil-dry protection.

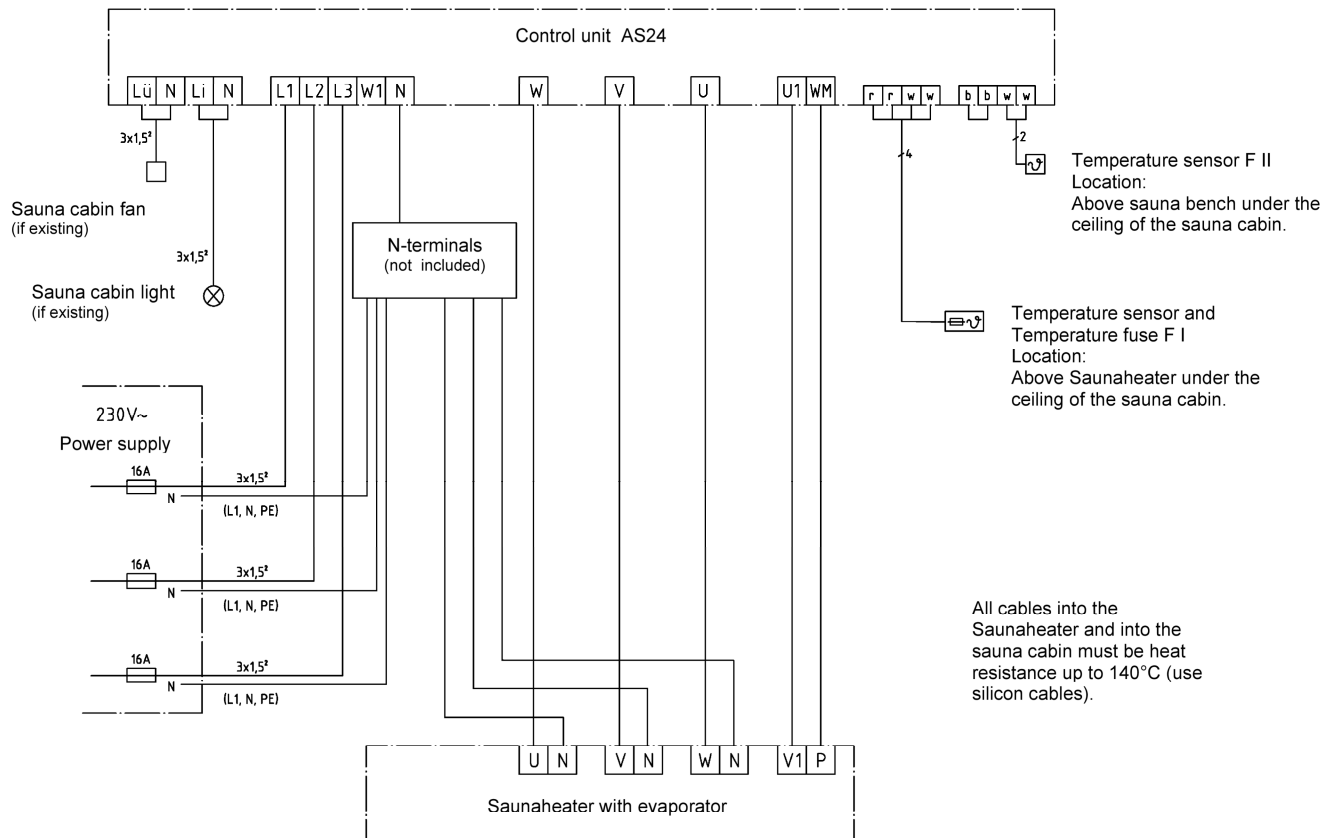


**Fig.6**

**Connection diagram Saunaheater to all control units (except AS24)**  
**Single phase 230V AC 1/N/PE**



## Connection diagram Saunaheater to control unit AS24 Single phase 230V AC 1/N/PE



### Tip when starting up the Saunaheater

We know that the heating rods and heating plate are hygroscopic. This means that they absorb moisture, which could result in the FI safety switch being triggered even in the absence of an actual fault.

In that event, the furnace must be heated up under supervision by a professional, disabling the protective function of the FI safety switch. Once the moisture has escaped from the heating elements after around 10 minutes, the FI safety switch can be re-activated.

The likelihood of the heating elements having absorbed moisture and triggering the FI safety switch increases the longer the furnace is left unused. For this reason, we recommend regularly heating up the furnace for several minutes.

### Sauna stones

Two stone baskets are located above the heating elements, to the left and the right (Fig.1, Item 4); these can be lifted up out of the appliance. Only use the sauna stones supplied when filling the stone baskets. Each basket will hold around 5-6 kg sauna stones.

- Clean the stones of stone dust before stacking them.
- The stones should be loosely placed to ensure air circulation. For this reason, place the stones in such a manner that as many interspaces as possible remain for the hot air to flow through.
- Do not stack the stones higher than the stone basket.
- Temperature changes will cause the stones to become brittle. For this reason, they should be re-stacked at least once a year, and any stones which are too small should be replaced where necessary.



**Caution:**

Stone baskets which are covered or incorrectly filled may pose a fire risk.

---

In order to increase the humidity more quickly, as well as using the evaporator, water can be poured on the hot stones of the Saunaheater. The water volume controls the pouring humidity. We recommend first only pouring small amounts of water on the stones, in order to observe the effect of the humidity on the skin. Excessive heat and humidity may feel unpleasant. A prolonged stay in an excessively hot sauna will cause the body temperature to rise, and this can be dangerous.



**Caution:**

Do not pour water on the stones if someone is in the immediate vicinity. The hot steam poses a risk of scalding.

---

### Evaporator

The evaporator pot is located below the cover plate (Fig.1, Item 3), which also accommodates the essence bowl (Fig.1, Item 5). In order to fill or clean the evaporator pot, the loose cover plate and the essence bowl must be removed.



**Caution:**

Only refill the evaporator pot with water when the Saunaheater is cold. Refilling the pot when the Saunaheater is hot may cause steam to form. This may pose a risk of scalding.

---

Before each sauna session, check the pot and fill it with fresh water up to the "max" fill level indicator. In order to fill it, remove the pot from the appliance. It has a capacity of around 5 litres, which will suffice for a two to three-hour sauna session. Unused water should be emptied after each sauna session.

Only pour essences into the essence bowl provided. Pouring essences into the evaporator pot will change the water structure and may result in foaming and overboiling.

The control unit is used to control the evaporator. Please carefully read the manual issued by the control unit manufacturer in order to operate it. Once the water reserve in the evaporator has been used up, an overheating safety device will automatically switch the hot plate off.

In order to clean the evaporator pot, remove the pot from the appliance when the Saunaheater is cold, and clean it using commercially available cleaning agents for cookware, or wash it in your dishwasher.

## Warnings

- Sea air may cause the metal surfaces of the Saunaheater to rust.
- Never use the sauna to dry laundry; this could pose a fire risk.
- Be careful of the hot Saunaheater. The stones and metal surfaces will become very hot, and may cause burns in the event of contact.
- Never pour excessive water volumes on the hot stones. The steam thus generated could result in scalding.
- Never leave children, people with disabilities, elderly or frail persons unsupervised in the sauna.
- Always consult your doctor in the event of health limitations.
- Take care when moving in the sauna, since the moisture could cause the benches and floor to become slippery.
- Never enter the sauna if under the influence of narcotics (medication, drugs, alcohol etc.)

## Faults

If the Saunaheater fails to heat up, first check the following items:

- Is the Saunaheater connected to the power supply?
- Is the safety fuse in order?
- Is the thermostat set to a higher temperature than that prevailing in the sauna?
- Has the control unit's timer switch been activated?

## Identification plate

The technical data specific to this model are specified on the identification plate. You will find the identification plate on the bottom left of the appliance.

## Spare parts

Please ask your specialist dealer for any spare parts required. Only original spare parts may be used. In order to deal with your enquiry as quickly as possible, we will need the model and serial number specified on your identification plate.

You will find the identification plate on the bottom left of the appliance.

So that you have the numbers on the identification plate to hand, we recommend entering them here before fitting.

Model number: \_\_\_\_\_

Serial number: \_\_\_\_\_

## Accessories

### Sauna stones

If necessary, the sauna stones must be replaced with new ones. Always only use original accessories.

## General guarantee conditions

Dear customer,

in guarantee case the country specified rights are valid which you may claim directly towards your dealer.



FinTec Sauna- und Wellnesstechnik GmbH  
Ottostraße 15  
95213 Münchberg  
Germany

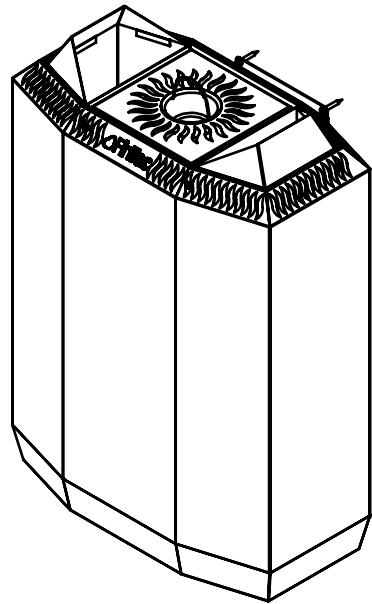
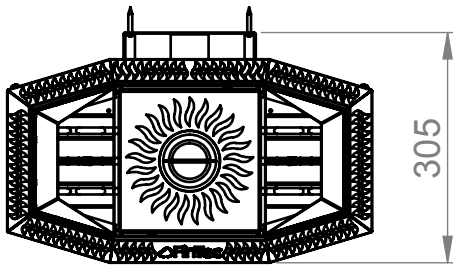
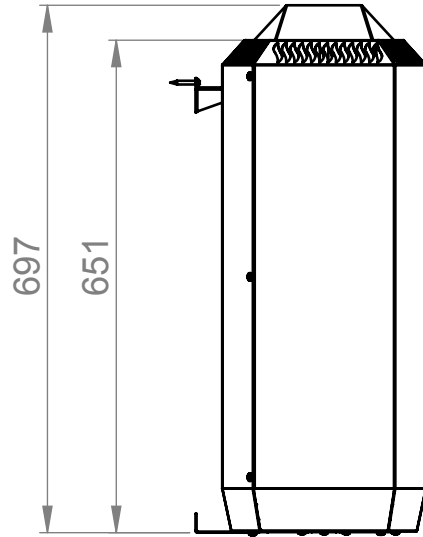
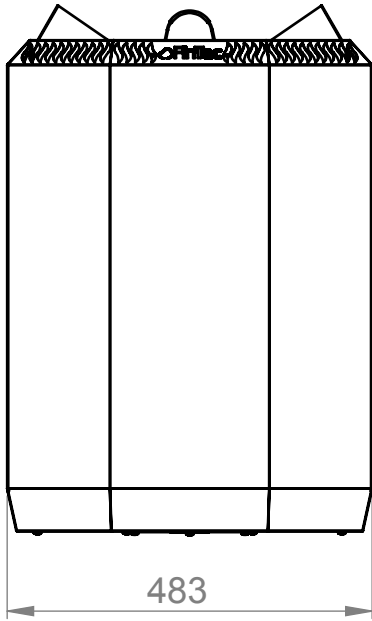
Internet: <http://www.fintec.de>  
eMail: [kontakt@fintec.de](mailto:kontakt@fintec.de)

1

2

3

4



A

B

C

D

DIESES DOKUMENT BLEIBT UNSER EIGENTUM UND DARF OHNE UNSERE GENEHMIGUNG WEDER DRITTEN PERSONEN NOCH KONKURENZFIRMEN MITGETEILT WERDEN.

COMMUNICATION, USE, ADAPTION AND COPY FORBIDDEN WITHOUT ANY WRITTEN AUTHORIZATION.

MODEL NUMBER:	ARTIKEL-NR.:	TYPE:
---------------	--------------	-------

STANDARD: DIN 7167
-----------------------

GEWICHT: kg	EINHEIT: mm	FORMAT: ISO A4	MAßE OHNE TOLERANZANGABEN: DIN ISO 2768-mH	OBERFLÄCHENANGABEN: DIN ISO 1302
			WERKSTOFF:	MAßSTAB: 1:10

BENNENUNG:				
<h1>Maßblatt Kaisa</h1>				

ERSATZ FUER:			SEITE: 1/1	
ZEICHNUNGS-NR.:			<h2>M.1016.01</h2>	

