



* Abbildung enthält ggf. Sonderausstattungen

FinTec Saunaofen KAJA

**Made
in
Germany**

Contents

General.....	20
Supply state, packaging, recycling	20
Assembly instructions for the fitter	22
Important information	22
Structure.....	23
Minimum distances.....	23
Electrical connection	24
Fitting the wall bracket.....	26
Minimum distances when fixing the wall bracket	27
Cover frame.....	28
Tip when starting up the Saunaheater.....	28
Operating manual for the user.....	29
Sauna stones.....	29
Throwing water on heated stones.....	29
Warnings.....	29
Faults	30
Identification plate	30
Spare parts	30
Accessories.....	31
Water collecting tray.....	31
General guarantee conditions.....	32

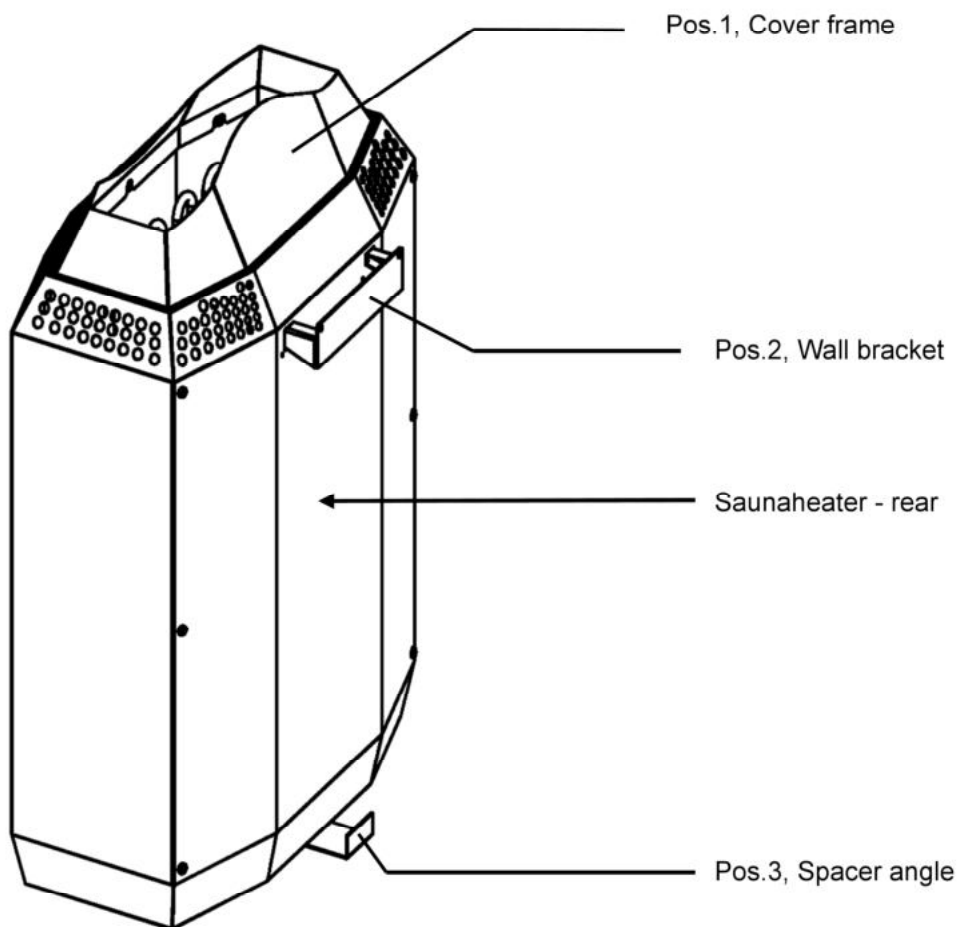


Fig.1

General

Please read all the information contained in this manual carefully. The manual contains important information on safety, installation, use and maintenance of the equipment.

The manufacturer will not assume any liability if the instructions below are not observed. The equipment must not be improperly used, i.e. for purposes other than the intended purpose.

Before switching on the Saunaheater, always check that there are no objects in the immediate vicinity of the furnace.



Caution:

Surfaces will become very hot when operating the Saunaheater. Contact may cause burning. Please always ensure that children or frail persons are not left unsupervised.



Caution:

Saunaheaters which are covered or incorrectly filled may pose a fire risk.

Supply state, packaging, recycling

The supply scope includes:

- 1 Saunaheater
- 1 Wall bracket in a bag together with spacer angle and fastening screws
- 1 Cover frame



Caution:

Only refill the evaporator pot with water when the Saunaheater is cold. Refilling the pot when the Saunaheater is hot may cause steam to develop. This may pose a risk of scalding.



Caution:

The stainless steel surfaces of the appliance are covered with a protective film to prevent scratches. The protective film must be fully removed before the first start-up.

Due to the evaporation of unused material, an odour may develop when first starting up the appliance. For this reason, ventilate thoroughly when first heating up the appliance.

The packaging of your high-quality appliance has been restricted to a minimum and, on principle, consists of recyclables.

Packaging and equipment components have been appropriately marked where possible and as required by the applicable regulations, in order to facilitate subsequent separation for recycling and proper disposal.

Caution: Packaging material, subsequent replacement parts and any old appliances or components to be scrapped must be properly disposed of.



Disposing of the old appliance

In many cases, old electrical and electronic appliances still contain valuable materials. However, they can also contain harmful substances which were necessary for the appliances' functionality and safety. These substances can be environmentally harmful if disposed of as residual waste or improperly handled. Please help protect our environment! Never dispose of your old appliance as residual waste. Dispose of your old appliance in accordance with locally applicable regulations.

Assembly instructions for the fitter

Important information

During operation the Saunaheater, in particular, may reach very high temperatures. Faulty assembly may cause a fire risk. For this reason, it is vital that the instructions in this manual are observed.

- The Saunaheater, the control unit and other electrical appliances must be connected to the power supply by a professional. DIN VDE 0100 Part 703 must be observed.
- Local safety requirements must be observed.
- The Saunaheater can be connected to triple phase 400V AC 3/N/PE.
- The Saunaheater may only be used in sauna cabins made of suitable, low-resin untreated material (such as Northern spruce).
- The interior height of the sauna cabin must be at least 1.9m.
- The output of the Saunaheater must be appropriate to the volume of the sauna cabin:
9 kW → ca. 9 - 12 m³
10,5 kW → ca. 10 - 14 m³
- The sauna cabin is provided with ventilation and venting openings. The ventilation opening must be located approx. 5-10cm above floor level behind the Saunaheater. The minimum cross-sections for the ventilation and venting openings are: 35 x 5 cm
- The ventilation opening must always be fitted to the bottom of the rear sauna wall, diagonally to the Saunaheater. The ventilation and venting openings must not be closed. Please also observe the instructions issued by the sauna cabin supplier.
- In order to regulate or control the Saunaheater, use only the original control unit from FinTec. The control unit must be fitted to a suitable point on the exterior cabin wall. The sensor housing must be fitted inside the cabin in accordance with the control unit fitting instructions.
- The cabin lighting and associated fitting must be protected against spray water and suitable for an ambient temperature of 140°C. Therefore, a VDE-certified sauna light not exceeding 40 watts must be fitted in association with the Saunaheater.
- If the Saunaheater will be used with a residual-current-operated protective device (RCD), no additional electric device should be protected with this RCD.
- The Saunaheater has been specifically designed for use in private saunas and may not be used for any other purpose.



Caution:

Remove any prints on the stainless steel surface with methylated spirit!

Structure

Minimum distances

When fitting the Saunaheater, care must be taken to ensure that the distance between the upper edge of the Saunaheater and the sauna ceiling is at least 110cm, and that the sauna height is at least 190cm. The lateral distance between the Saunaheater and the cabin wall must be at least 5cm (see Fig.2). The distance from the protective furnace grill or the bench must also be at least 5cm. The height of the protective grille must be flush with the upper furnace edge.

The floor beneath the Saunaheater must be made of non-flammable material. Otherwise, damage could result since the sauna stones will become brittle as a result of temperature changes, and stone splinters can be flushed onto the floor during the pouring process. We also recommend using dark flooring and grouting materials, since the pouring water absorbs impurities from the stones and could soil the floor.

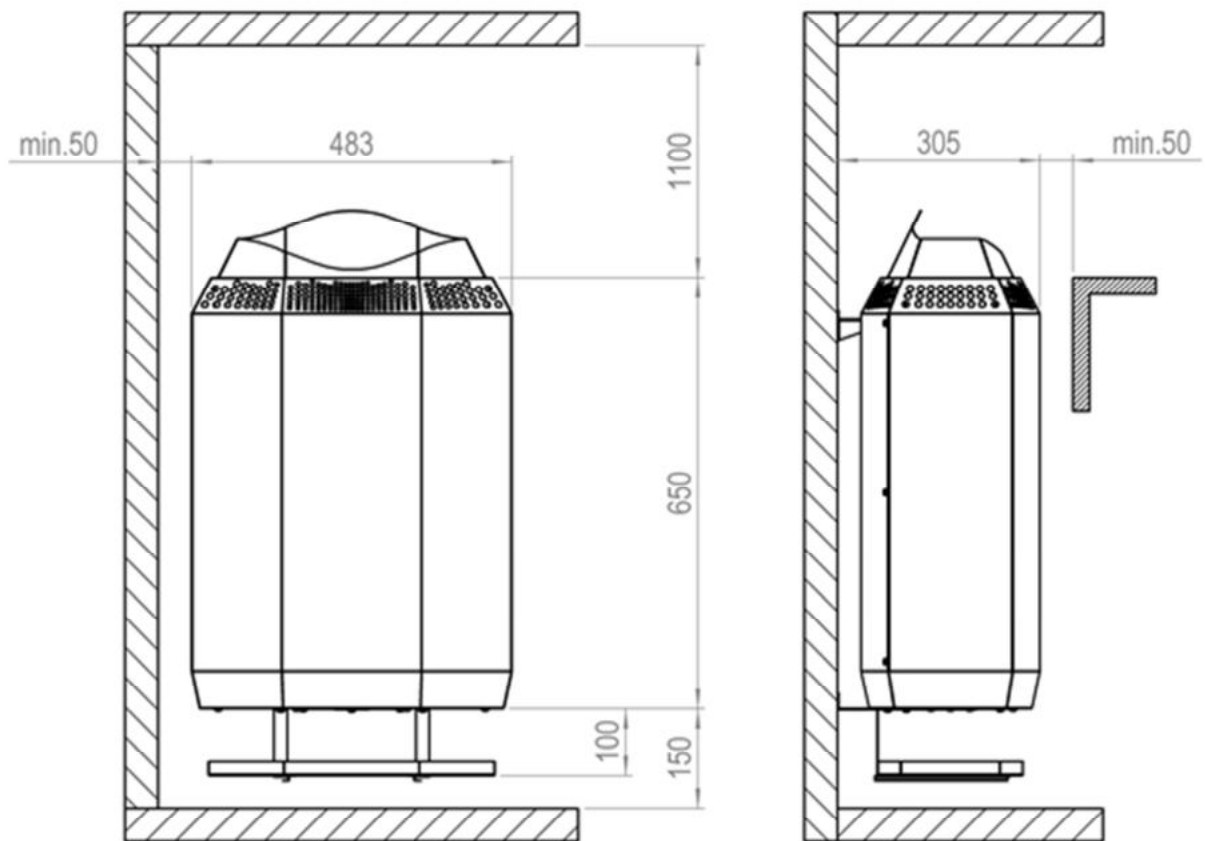


Fig.2

Electrical connection

The sauna equipment (Saunaheater, control unit, lighting etc.) may only be permanently connected to the power supply by a registered electrician in accordance with applicable regulations. All connection cables must be suitable for an ambient temperature of at least 140°C (e.g. silicone cables). Please consult Table 1 for the minimum cross-sections of connection cables. For safety reasons, live cables should not be visibly laid along the cabin walls. If available, use the empty ducts in the wall elements. If no empty ducts are available, drill a 12mm hole in the cabin wall immediately next to the Saunaheater, where the cable exits the furnace. Guide the cable through this hole to the outside and the control unit. All external connection cables should also be protected from damage, for example by laying them in installation ducts or fitting timber cladding battens.

Output	Sauna cabin volume	Ventilation and venting opening	Connection cables Triple phase	Fuse protection
9 kW	9 – 12 m ³	35 x 5 cm	5 x 1,5 ²	16 A
10,5 kW	10 – 14 m ³		5 x 2,5 ²	20 A

Table 1

Assembly sequence

- Remove the control panel from the Saunaheater. For this purpose, unscrew the two cross-head screws at the bottom (see Fig.3).
- Flip the control panel forward down. Then push it down and forward, and remove.
- Feed the connection cable in through the mains lead cleat, and connect in accordance with the wiring diagram (see Fig.4).
- Tighten the mains lead cleat firmly to ensure that the connection cable is firmly fixed to the Saunaheater.
- Reverse the sequence to reassemble the control panel. For this purpose, insert the hooks at the back into the floor opening, and flip forward and up.
- Screw the control panel firmly using the two cross-head screws.

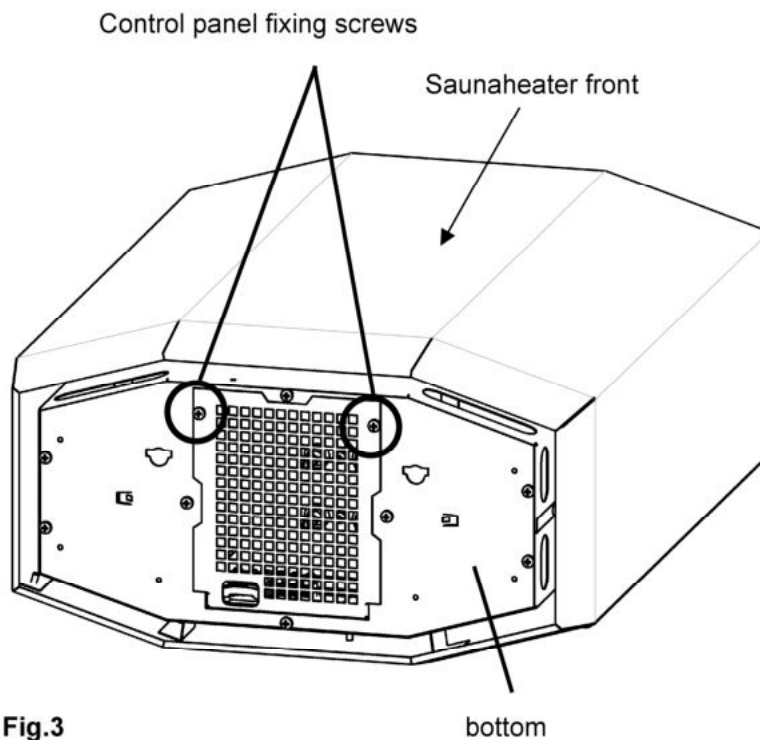
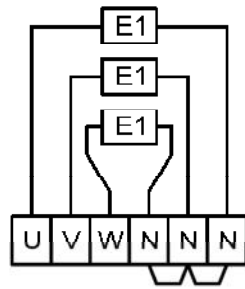


Fig.3

**Internal circuit diagram Saunaheater
Triple phase 400V AC 3/N/PE**



E1 Heating element

Fig.4

**Connection diagram Saunaheater
Triple phase 400V AC 3/N/PE**

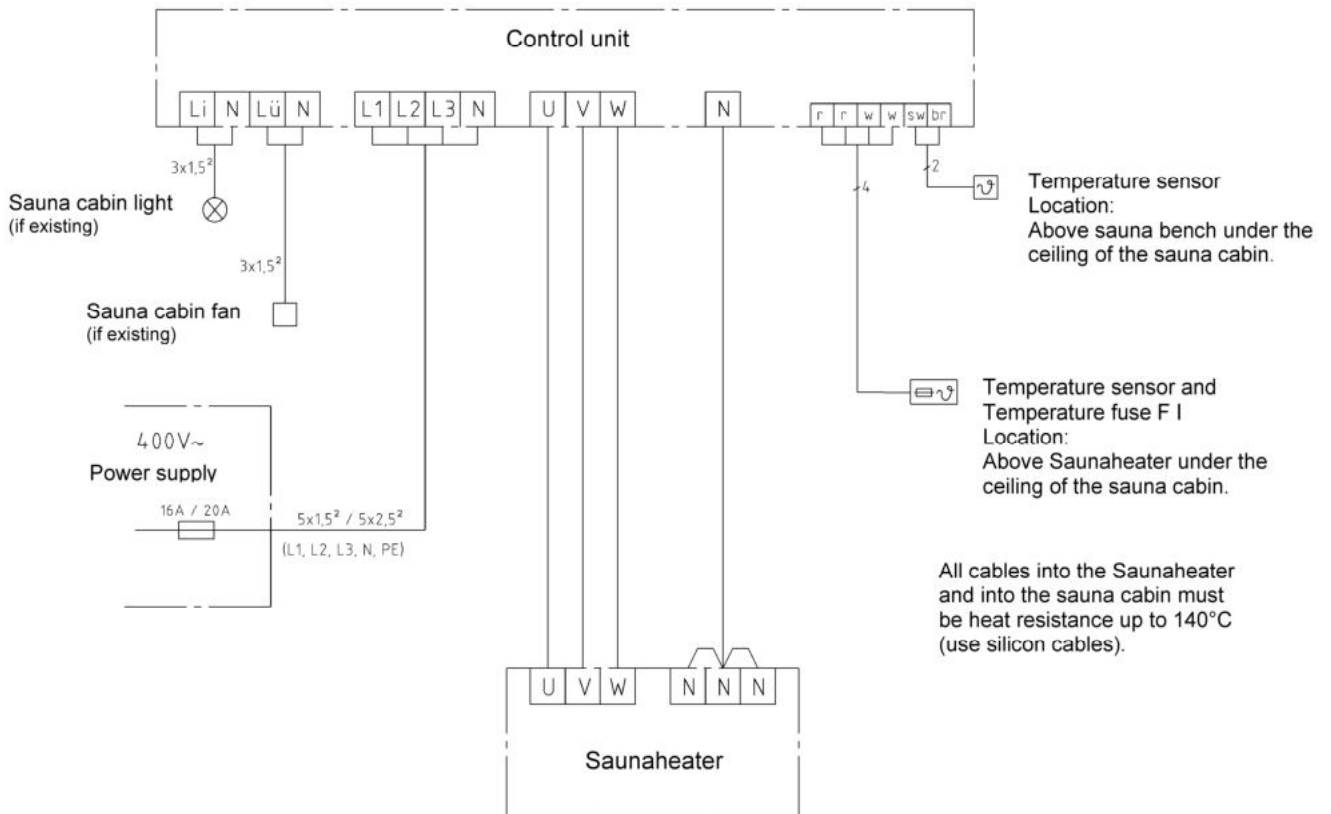


Fig.5

Fitting the wall bracket

The wall bracket (Fig.1, Pos.2) and the spacer angle (Fig.1, Pos.3) are included with the Saunaheater.

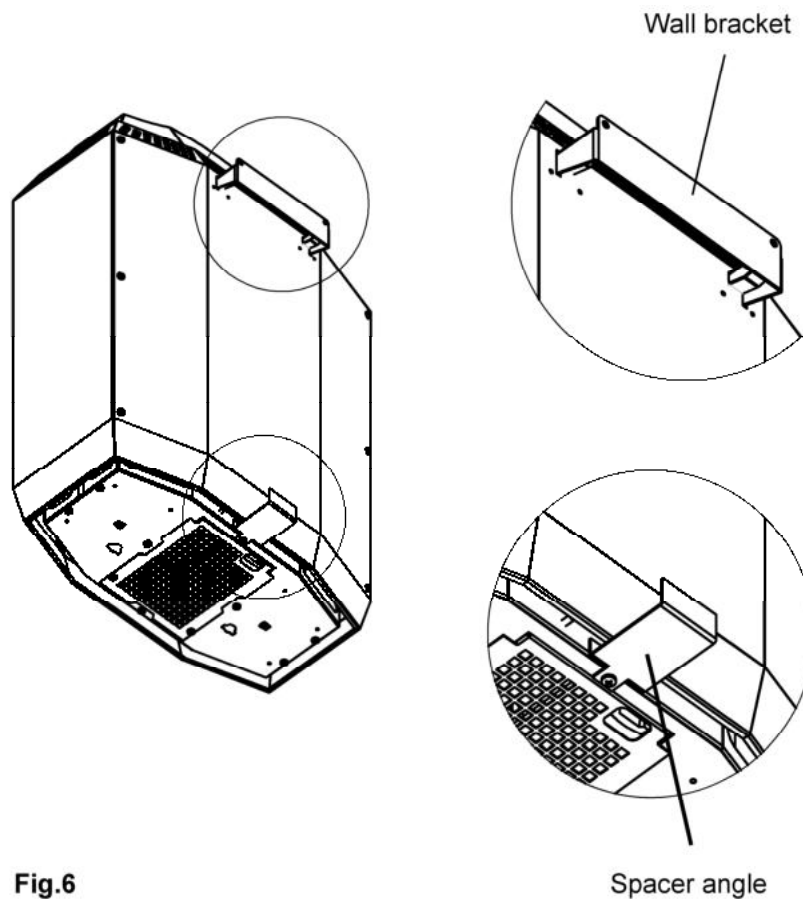
- With due consideration of the minimum distances, screw the wall bracket to the sauna wall using the four 5x35 wood screws supplied (see Fig.7).



Caution:

A board must be fitted behind the panels to provide support at the points where the screws are screwed into the sauna wall; this is to ensure that the screws are firmly seated. Alternatively the board can also be attached in front of the panels.

- To mount the spacer angle, unscrew the screw from the floor plate and screw fasten the spacer angle at this position (see Fig.6).
- Insert the Saunaheater in the wall bracket in such a manner that the spring tabs of the wall bracket engage in the openings of the rear panel and tangibly click in place.



Minimum distances when fixing the wall bracket

The specified distances from flammable objects are minimum distances.

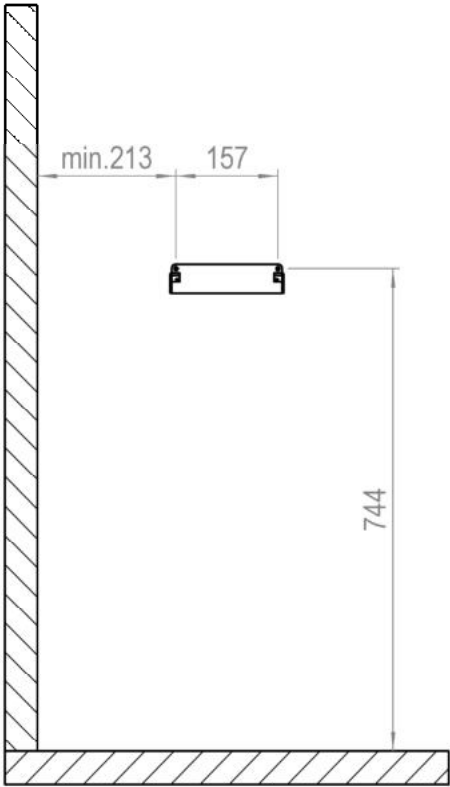


Fig.7

Cover frame

To minimize the radiation of the sauna stones to the cabin wall, the enclosed cover frame (Fig.1, Pos.1) must be installed. Unscrew the middle screw out of the inner panel (Fig.8). Apply the cover panel with high chamfer to the Saunaheater rear onto the 4 outer screw heads. The 4 screw heads mate in according cuts of the cover frame. Screw the cover panel with the middle screw to the inner panel.

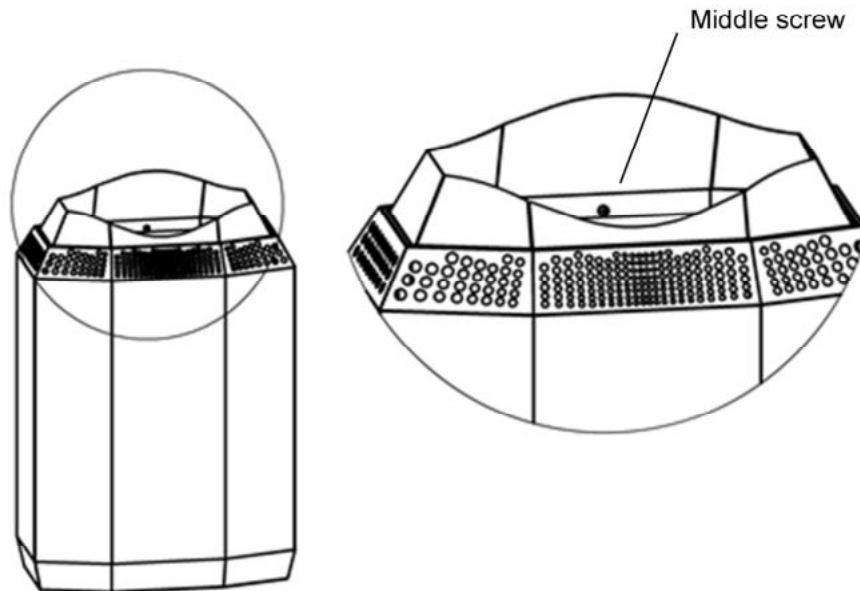


Fig.8

Tip when starting up the Saunaheater

We know that the heating rods are hygroscopic. This means that they absorb moisture, which could result in the FI safety switch being triggered even in the absence of an actual fault.

In that event, the furnace must be heated up under supervision by a professional, disabling the protective function of the FI safety switch. Once the moisture has escaped from the heating elements after around 10 minutes, the FI safety switch can be re-activated.

The likelihood of the heating elements having absorbed moisture and triggering the FI safety switch increases the longer the furnace is left unused. For this reason, we recommend regularly heating up the furnace for several minutes.

Sauna stones

To fill the Saunaheater with sauna stones, use special sauna stones of size 32/63 mm. The Saunaheater will hold around 30 kg sauna stones.

- Clean the stones of stone dust before stacking them.
- The stones should be loosely placed to ensure air circulation. For this reason, place the stones in such a manner that as many interspaces as possible remain for the hot air to flow through.
- Do not stack the stones higher than the cover frame.
- Temperature changes will cause the stones to become brittle. For this reason, they should be re-stacked at least once a year, and any stones which are too small should be replaced where necessary. Always use sauna stones of size 32/63 mm.



Caution:

Saunaheaters which are covered or incorrectly filled may pose a fire risk.

Throwing water on heated stones

In order to increase the humidity more quickly, water can be poured on the hot stones of the Saunaheater. The water volume controls the pouring humidity. We recommend first only pouring small amounts of water on the stones, in order to observe the effect of the humidity on the skin. Excessive heat and humidity may feel unpleasant. A prolonged stay in an excessively hot sauna will cause the body temperature to rise, and this can be dangerous.



Caution:

Do not pour water on the stones if someone is in the immediate vicinity. The hot steam poses a risk of scalding.

The water to be thrown on the heated stones should meet the requirements of clean household water. Only special perfumes designed for sauna water may be used.

Warnings

- Sea air may cause the metal surfaces of the Saunaheater to rust.
- Never use the sauna to dry laundry; this could pose a fire risk.
- Be careful of the hot Saunaheater. The stones and metal surfaces will become very hot and may cause burns in the event of contact.
- Never pour excessive water volumes on the hot stones. The steam thus generated could result in scalding.
- Never leave children, people with disabilities, elderly or frail persons unsupervised in the sauna.
- Always consult your doctor in the event of health limitations.
- Take care when moving in the sauna, since the moisture could cause the benches and floor to become slippery.
- Never enter the sauna if under the influence of narcotics (medication, drugs, alcohol etc.)

Faults

If the Saunaheater fails to heat up, first check the following items:

- Is the Saunaheater connected to the power supply?
- Is the safety fuse in order?
- Is the thermostat set to a higher temperature than that prevailing in the sauna?
- Has the control unit's timer switch been activated?

Identification plate

The technical data specific to this model are specified on the identification plate. You will find the identification plate on the bottom left of the appliance.

Spare parts

If you require any spare parts, please contact your specialist dealer. Only original spare parts may be used. When ordering spare parts, always quote the product number and the serial number printed on the identification plate. The serial number is printed on the front of the control panel. We recommend writing down the product and serial number during the installation in this manual:

Product number: _____

Serial number: _____

Accessories

Water collecting tray

The water collecting tray is available as an accessory and can also be retrofitted under a previously-installed device.

Installation: Insert the two retaining brackets in the floor plate and fasten them on the floor plate with the included screws (Fig.9). Place the collecting tray on the retaining brackets and slide it in (Fig.10). For easier insertion, the guide rails under the collecting tray protrude slightly at the rear.

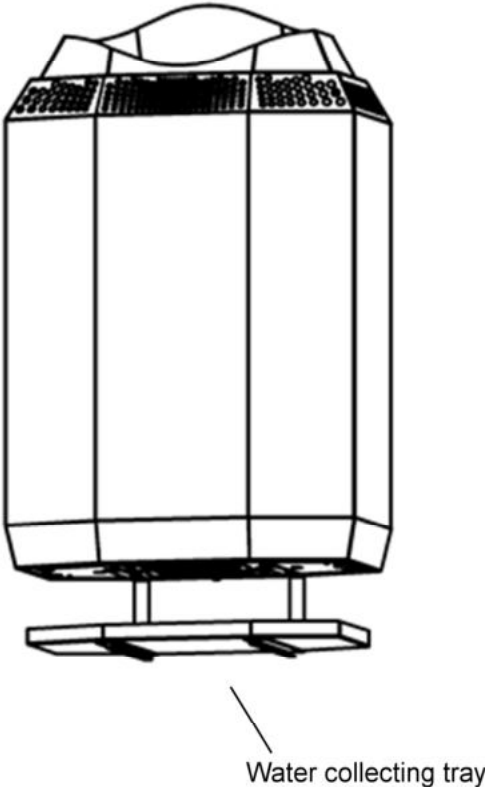
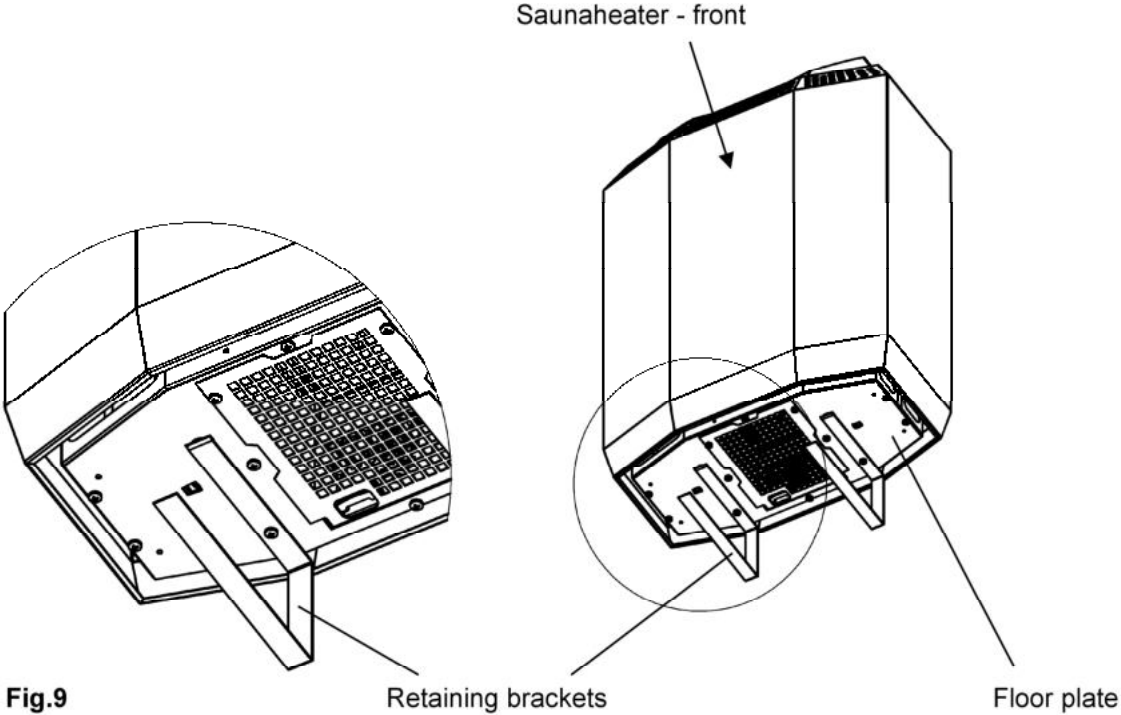


Fig.10

General guarantee conditions

Dear customer,

in guarantee case the country specified rights are valid which you may claim directly towards your dealer.



FinTec Sauna- und
Wellnesstechnik GmbH
Ottostraße 15
95213 Münchberg
Germany

Tel: +49 (0) 92 51 / 899 78 50

Fax: +49 (0) 92 51 / 899 78 59

email: kontakt@fintec.de

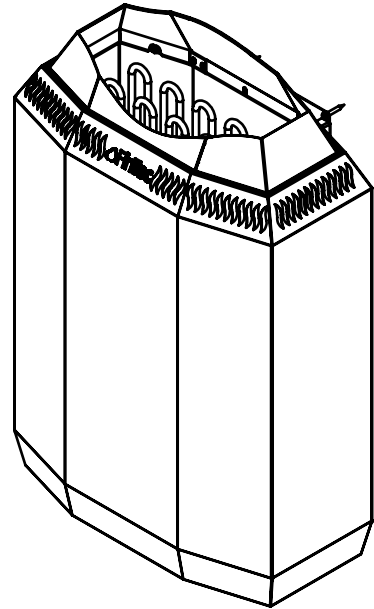
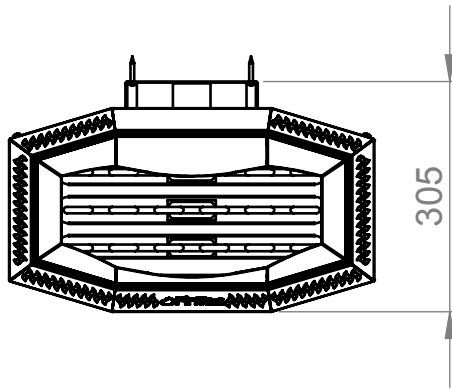
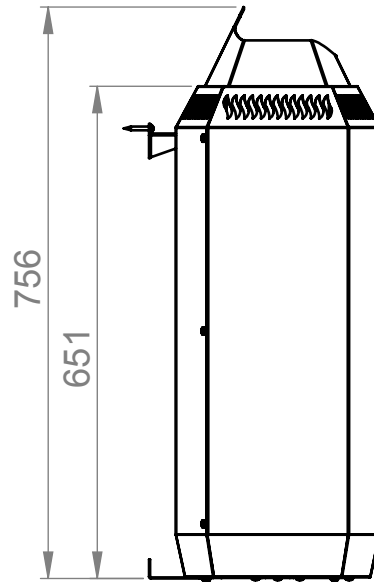
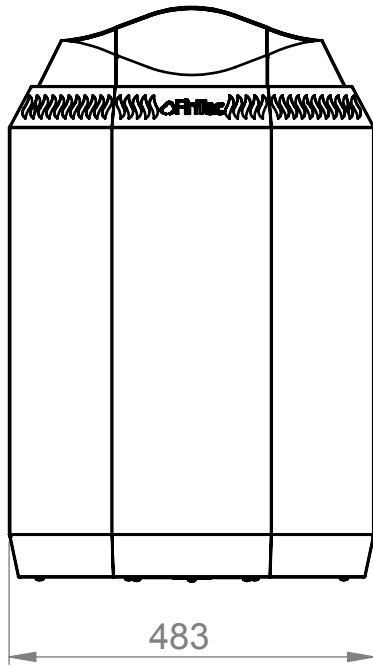
Internet: <http://www.fintec.de>

1

2

3

4



A

B

C

D

DIESES DOKUMENT BLEIBT UNSER EIGENTUM UND DARF OHNE UNSERE GENEHMIGUNG WEDER DRITTEN PERSONEN NOCH KONKURENZFIRMEN MITGETEILT WERDEN.

COMMUNICATION, USE, ADAPTION AND COPY FORBIDDEN WITHOUT ANY WRITTEN AUTHORIZATION.

MODEL NUMBER:	ARTIKEL-NR.:	TYPE:
---------------	--------------	-------

STANDARD: DIN 7167

GEWICHT: kg	EINHEIT: mm	FORMAT: ISO A4	MAßE OHNE TOLERANZANGABEN: DIN ISO 2768-mH	OBERFLAECHENANGABEN: DIN ISO 1302
			WERKSTOFF:	MAßSTAB: 1:10

BENNENUNG:	<h2>Maßblatt Kaja</h2>			
------------	------------------------	--	--	--

01 16249	2017-01-17	Ott		
IND. TM-NR.:	DATUM	NAME	SIGN.	
RELEASE:	2017-01-17	Schmidt		



ERSATZ FUER:		
ZEICHNUNGS-NR.:	SEITE:	1/1
M.1031.01		