



Operating instructions

+ FinTec Björn (9 – 15 kW)



**Made
in
Germany**

Table of contents

Content

| | |
|------------------------------------|----|
| Introduction..... | 3 |
| Technical data | 7 |
| Connection diagram 9 kW | 8 |
| Connection diagram 12 kW | 9 |
| Connection diagram 15 kW | 10 |
| Product description | 11 |
| Installation..... | 12 |
| Safety instructions..... | 12 |
| Mounting the sauna heater: | 14 |
| Connecting the sauna heater | 14 |
| Function test..... | 14 |
| Filling with sauna stones | 15 |
| Fastening the anti-tip device..... | 17 |
| Heater protection grille:..... | 17 |
| Manufacturer | 17 |
| Warranty | 19 |

Introduction

Thank you for purchasing our sauna heater.

Please take some time to read these instructions carefully before you start installing the sauna heater and control unit. These instructions contain important information and instructions for the installation and maintenance of your new sauna heater.

We hope you enjoy using it, as it was developed by our engineers for this purpose. The guarantee period for private use is 3 years. For commercial use 2 years. Wearing parts such as heating elements and sauna stones are excluded from the guarantee.

Please read the operating instructions carefully before use.

Check the sauna heater for transport damage.

If you find any, report this to the shipping company immediately.

General safety instructions:



NOTICE!

Please read these instructions carefully before commissioning!



WARNING!

For safety and reliability reasons, the electrical installation of the sauna heater must be carried out by qualified electricians and in accordance with local regulations.



DANGER!

Improper electrical connections can cause electric shock or fire. The cable must be of type SIHF or equivalent.



CAUTION!

The use of PVC-insulated cable is prohibited due to thermal embrittlement.



DANGER!

Before connecting the sauna heater, please ensure that the main switch is switched off and the connection is de-energised.



CAUTION!

It is forbidden to use the sauna heater for other purposes.



WARNING!

The heater must not be covered or hung up to prevent fires.



WARNING!

Never use the sauna heater without **sauna stones**, as this can lead to fires. Only use high-quality sauna stones from FinTec Sauna- und Wellnesstechnik GmbH. The use of unsuitable stones can lead to damage to the heating elements and invalidate the warranty. Never use ceramic stones or other inferior stones.



CAUTION!

The surface of the sauna heater becomes very hot and must not be touched. Touching it can lead to burns.



DANGER!

Ensure that the sauna heater is correctly earthed. The earthing should have a larger cross-section than that of the power supply.

Safety instructions for the sauna



WARNING!

Elderly people, pregnant women, people with heart problems, blood pressure problems, diabetes or similar illnesses should speak to their doctor before visiting a sauna.



DANGER!

Smoking is not permitted inside the sauna.



CAUTION!

A sauna session directly after heavy physical activity should be avoided.



WARNING!

Taking a sauna under the influence of alcohol should be avoided.



CAUTION!

Leave the sauna if you feel unwell or nauseous..



CAUTION!

Make sure that your sauna has a sufficient supply of fresh air.

Technical data

Sauna heater:

| Model | Total power (kW) | Voltage 3N | Ampere (A) | Dimensions (mm) | | Stone capacity (kg) |
|-------|------------------|------------|---|-----------------|-----|---------------------|
| | | | | Height | Ø | |
| 9 kW | 9.0 | 400 V | Control unit: 3x16 A | 1100 | 430 | 120 |
| 12 kW | 12.0 | 400 V | Control unit: 3x16 A Extension: 3x10 A | 1100 | 430 | 120 |
| 15 kW | 15.0 | 400 V | Control unit: 3x16 A Extension: 3x16 A | 1100 | 430 | 120 |

Table 1: Technical data of the sauna heater

| Distribution of the total load per circuit | | | | | | |
|--|--------------------------|---------------------|---------------------|------------------|-----------------------|------------------|
| Model | Total number of elements | Circuit I | | | Circuit II | |
| | | Number 1 kW Element | Number 2 kW Element | Total power (kW) | Number 2.8 kW Element | Total power (kW) |
| 9 kW | 6 | 3 | | 9.0 | | |
| 12 kW | | 3 | | 3.0 | 3 | 8.4 |
| 15 kW | | | 3 | 6.0 | 3 | 8.4 |

Table 2: Effective power

Sauna volume and safety distances

| Model | Recommended sauna room size | | Safety distances from combustible materials | | |
|-------|-----------------------------|------------------------|---|-----------------------|---------------------|
| | Min. (m ³) | Max. (m ³) | To the side (mm) | To the back wall (mm) | To the ceiling (mm) |
| 9 kW | 8 | 18 | 100 | 100 | 800 |
| 12 kW | 14 | 22 | 150 | | 1000 |
| 15 kW | 16 | 26 | | | |

Table 3: Room volume and safety distances

Connection diagram 9 kW

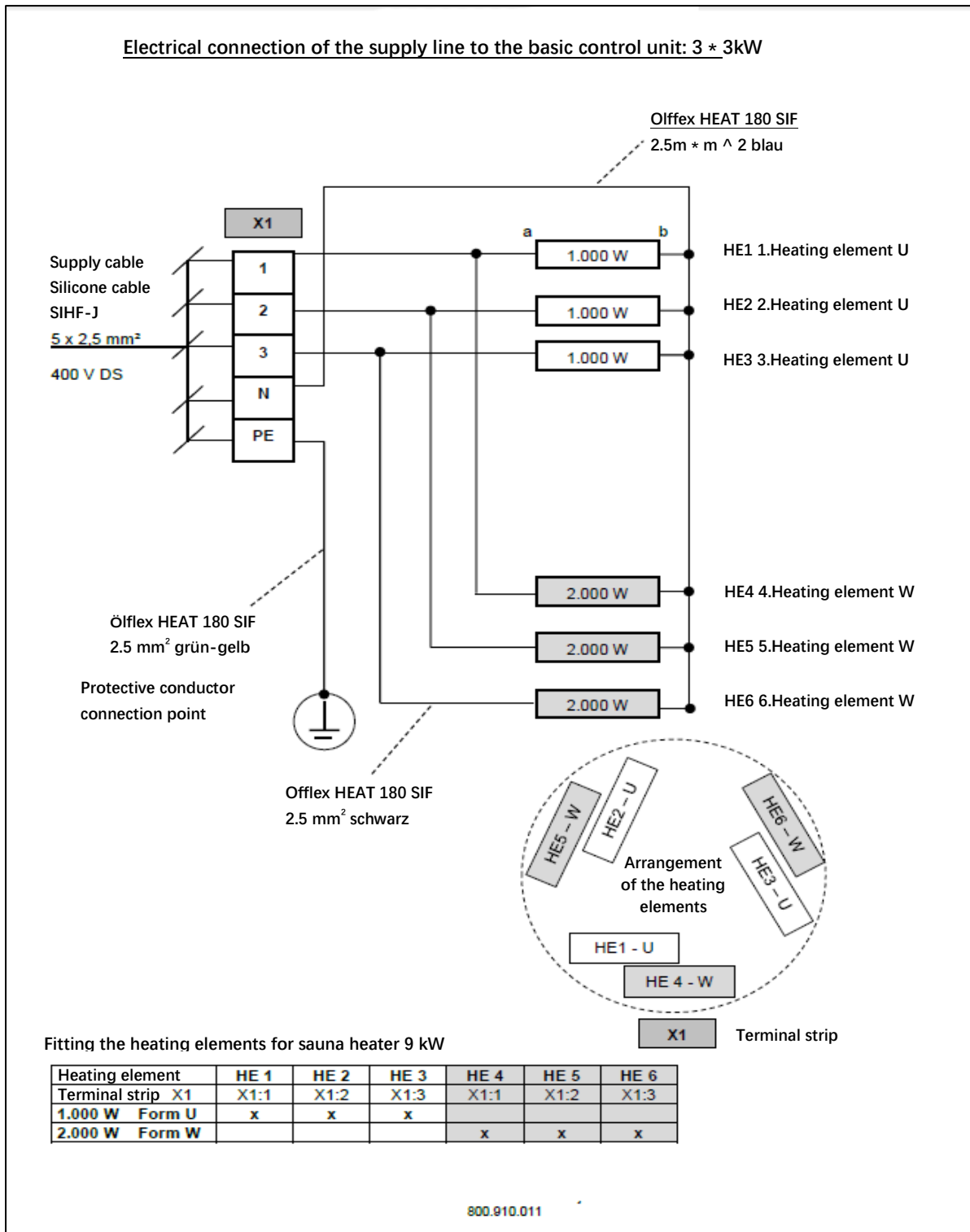


Figure 1: Connection diagram 9 kW

Connection diagram 12 kW

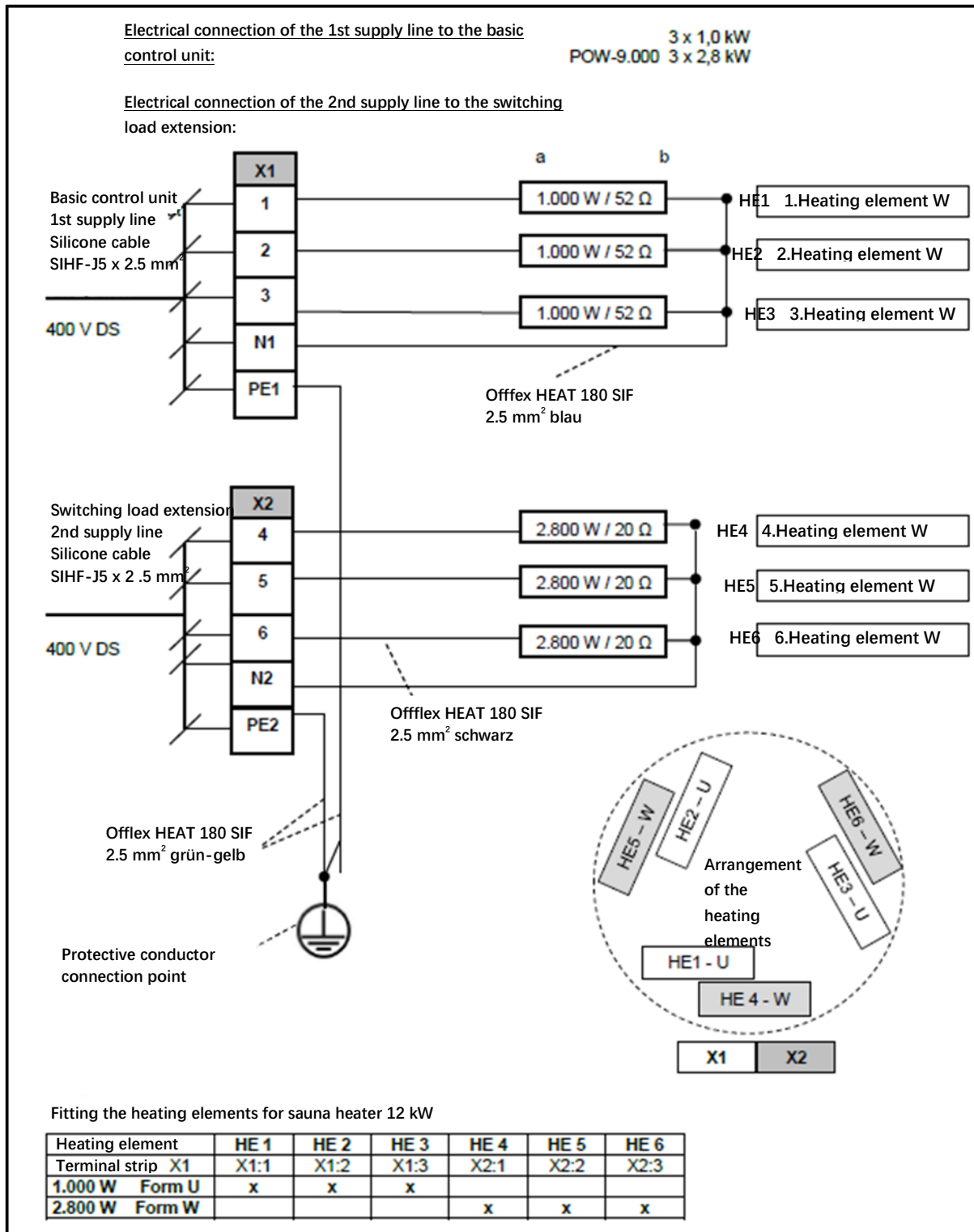


Figure 2: Circuit diagram 12 kW

Connection diagram 15 kW

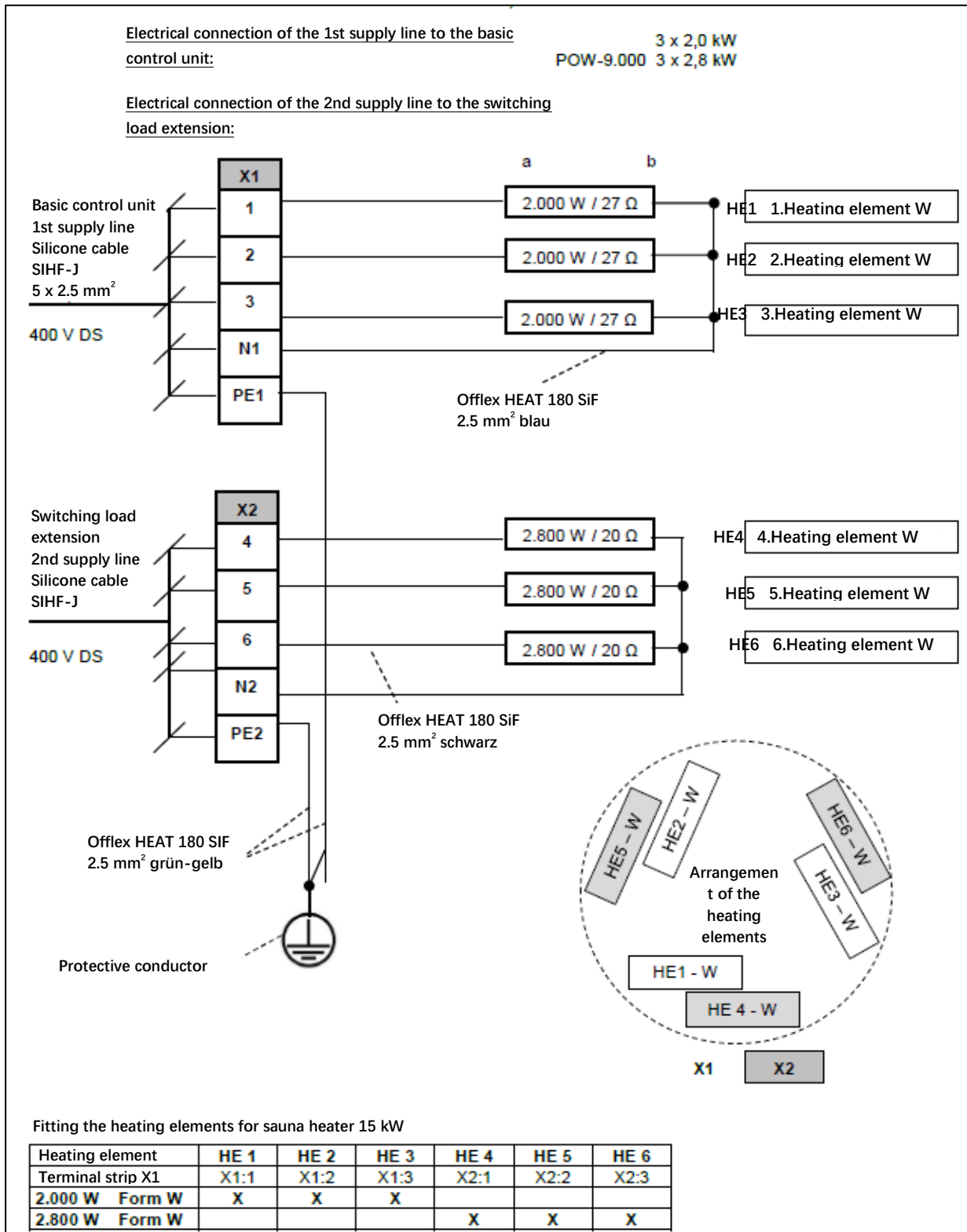
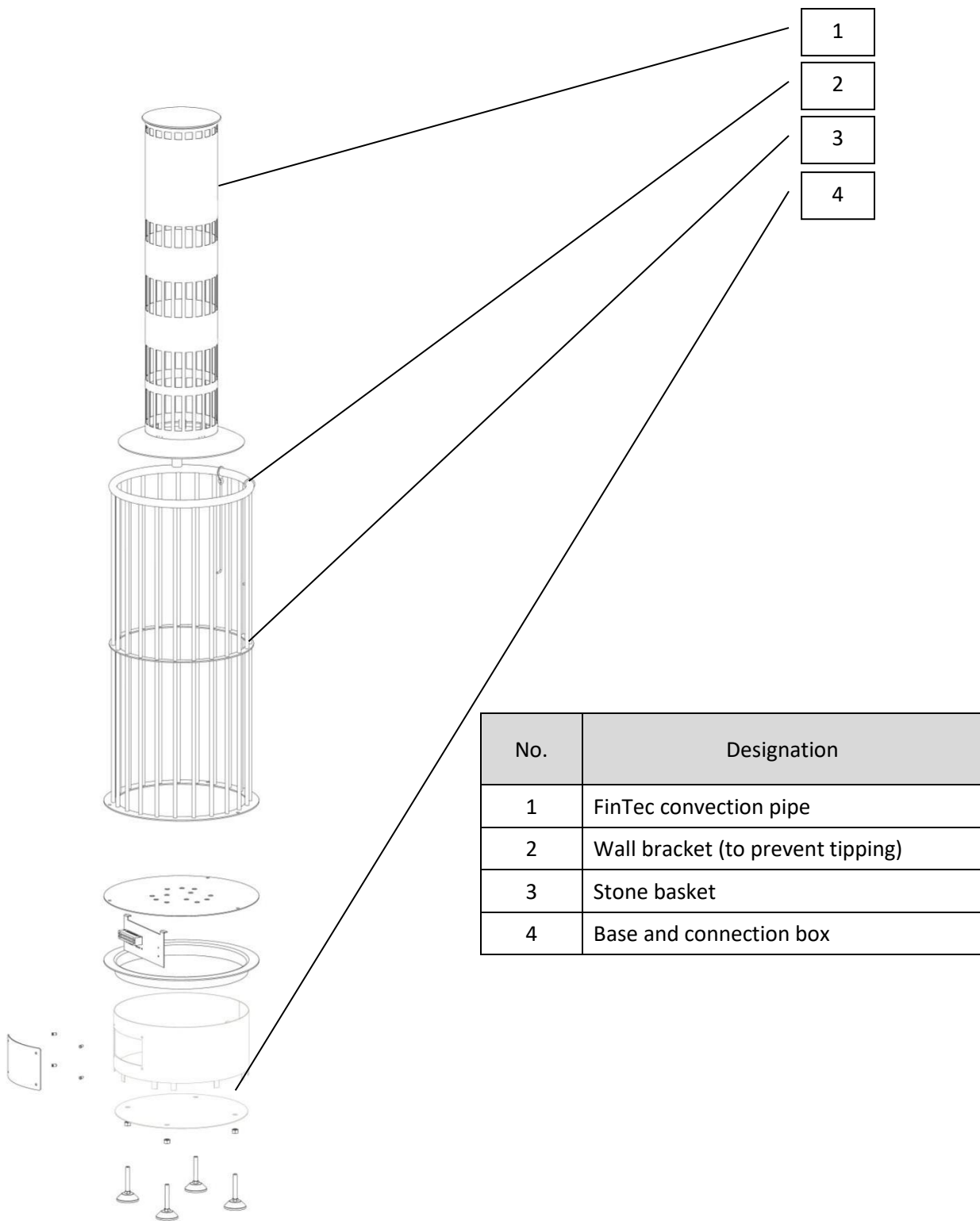


Figure 3: Connection diagram 15 kW

Product description



| No. | Designation |
|-----|-----------------------------------|
| 1 | FinTec convection pipe |
| 2 | Wall bracket (to prevent tipping) |
| 3 | Stone basket |
| 4 | Base and connection box |

Installation

Safety instructions



NOTICE!

Please check that the heater you have selected is suitable for the cabin size of your sauna. Please refer to the table on the next page.



NOTICE!

Make sure that the available power source meets the requirements of the sauna heater.



NOTICE!

Ensure that the required minimum safety distances are strictly adhered to.



NOTICE!

The minimum ceiling height must be 800 mm. Please also refer to the table on the next page.



NOTICE!

The heater must not be used as a wall-mounted model and must stand firmly on the floor.



NOTICE!

Only one sauna heater may be installed per sauna.



NOTICE!

The anti-tip device must always be used.



NOTICE!

Electric sauna heaters are 400 V three-phase appliances (three-phase alternating current) for which an appropriate connection including fuse protection is required.

The respective specifications can be found in the technical documentation.

Before installation, please consult your network operator and obtain written authorisation if necessary.

We would like to point out that such a device may only be installed by the respective grid operator or by an installation company entered in the grid operator's list of installers in accordance with § 13 of the Low Voltage Connection Ordinance. There are no warranty or guarantee claims for material defects that can be proven to have been caused by non-standardised and improper installation. We recommend that you keep the installer's commercial invoice for at least the warranty period of the sauna heater.

Mounting the sauna heater:

Corner mounting

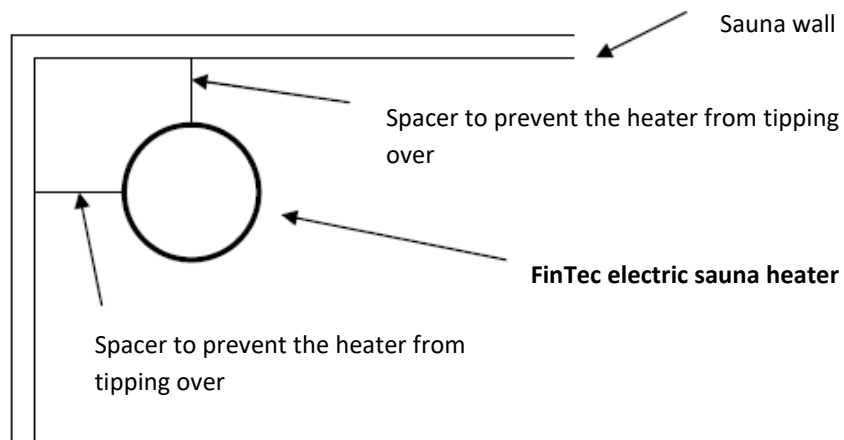
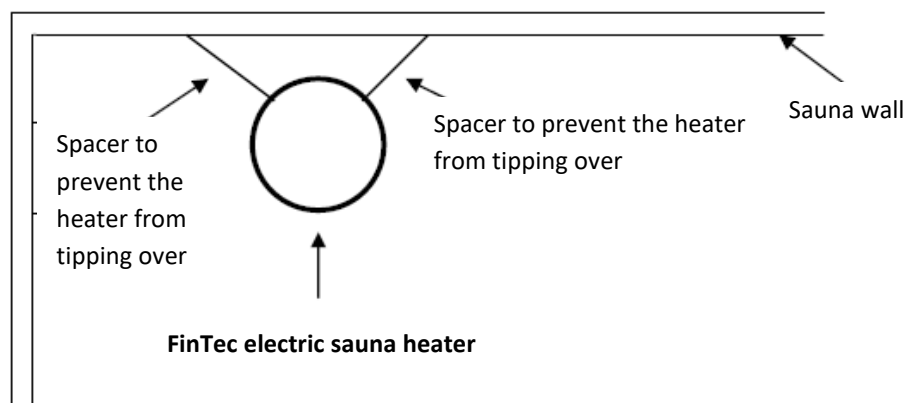


Figure 4: Corner mounting scheme

Wall mounting



Ensure that the prescribed safety distances are observed at all times. Sufficient ventilation of the sauna room is essential.

Connecting the sauna heater

Open the terminal box on the underside of the heater and connect the five-pole electrical cable to the terminal strip. Please refer to the connection diagram at the end of the instructions. Lay one end of the electrical cable through the recess in the stainless steel base so that the cable is in the centre of the heater housing. Attach the other end of the cable to the control unit and connect it according to the instructions for the sauna heater control unit.

Function test

Switch on the sauna heater briefly to check that all heating elements are working properly. If all heating elements are working, you can close the box. If one or more heating elements do not work or another fault occurs, please contact the manufacturer's technical customer service.

Filling with sauna stones

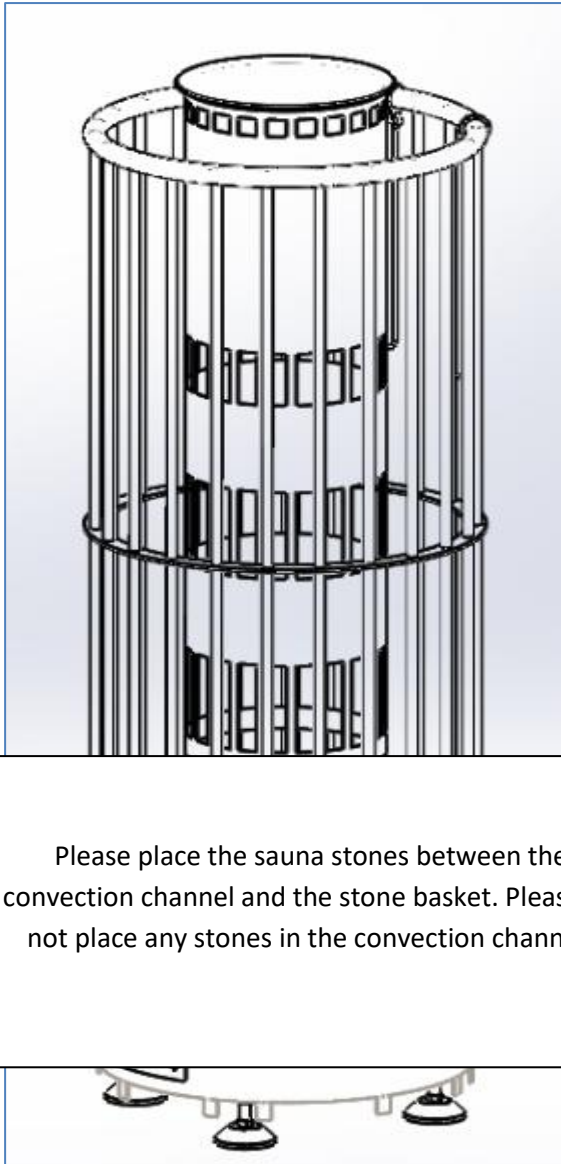


NOTICE!

Connect the power cable to the sauna heater before filling the sauna heater with sauna stones.

Ensure that the safety distances are observed. Stone dust should be removed from the stones before stacking.

The sauna stones are placed evenly between the stone basket and the convection channel. Under no circumstances should there be large open spaces. The stones should support each other. The weight of the stones must not be supported by the heating elements.



The stones must not be stacked too tightly so that air circulation is not impeded.

Wedging between the heating elements must be avoided. Very small stones should be sorted out. The stones must completely cover the heating elements. The stones wear out over time through use. For this reason, the stones should be restacked at least once a year, more often if they are used frequently. On this occasion, please also remove dust and stone splinters from the lower part of the sauna heater and replace damaged stones.

Please place the sauna stones between the convection channel and the stone basket. Please do not place any stones in the convection channel!

Figure 5: Filling with sauna stones

Fastening the anti-tip device

The heater should always be secured against tipping using the hooks attached to the stone basket. To do this, screw the enclosed screws into the wooden wall and attach the hook. Finally, check once again that the heater is stable.

Heater protection grille:

To avoid burn injuries, we recommend surrounding the sauna heater with a protective wooden grille. Depending on the location of the sauna heater, two or three sides should be surrounded by the protective grille. To ensure that the heater protection grille does not come into contact with the hot sauna stones, make sure that the grille ends approx. 25 mm below the top edge of the sauna heater. Heater protection grilles are available from specialised dealers and are attached to the sauna cabin.

Manufacturer

FinTec Sauna- und Wellnesstechnik GmbH
Ottostraße 15
95213 Münchberg

Tel: +49 (0) 9251 / 899 78 50
Fax: +49 (0) 9251 / 899 78 59

eMail: kontakt@fintec.de
Internet: <http://www.fintec.de>



WEEE-Reg.-Nr:
DE55434464



Warranty

Warranty or guarantee period

- **Standard line**
We give a warranty of 2 years on our standard line of sauna heaters for private use and 1 year for commercial use. Wearing parts such as heating elements and sauna stones are excluded from this warranty.
- **Premium line**
We provide a warranty of 3 years on our standard line of sauna heaters for private use and 2 years for commercial use. Wearing parts such as heating elements and sauna stones are excluded from this warranty.
- **Prerequisite**
- **Improper use**
Improper use of our sauna heaters, e.g. use outside a classic sauna or infusion with salt water, immediately voids all warranty and guarantee claims.
- **Proper installation by an electrician**
Sauna heaters are electrical appliances which are generally operated at 400V. All warranty and guarantee promises made by us are subject to professional installation by an authorised electrician in compliance with all statutory regulations and local regulations.

We hereby confirm that we have installed the sauna heater in accordance with the currently valid regulations

Place, date

Signature and stamp of the installing electrician